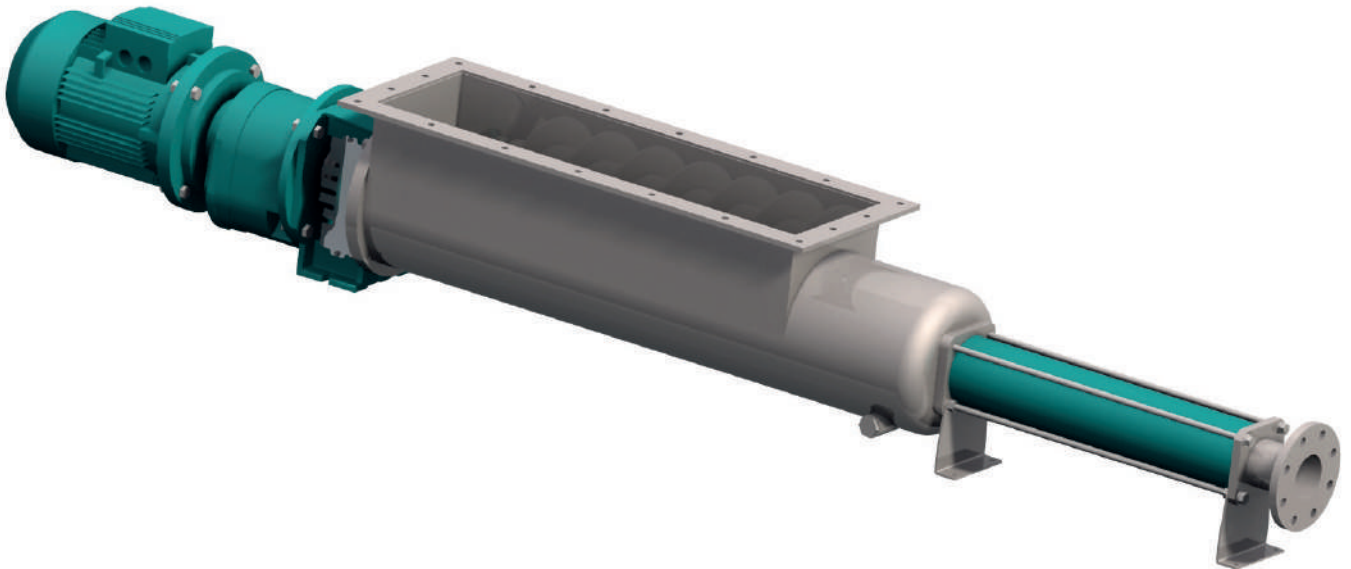




Range G - Industrial pump



PROGRESSING CAVITY PUMP
Italian Designed & Manufactured

Legendary Reliability



**SYDEX
PROGRESSING CAVITY PUMPS:**

Founded in 1999, Sydex has developed an extensive range of high quality and cost effective progressing cavity pumps. By being able to provide state-of-the-art-market-driven products, flexibility in providing customer-focused solutions, and unparalleled levels of service, we are experiencing rapid growth throughout the globe.

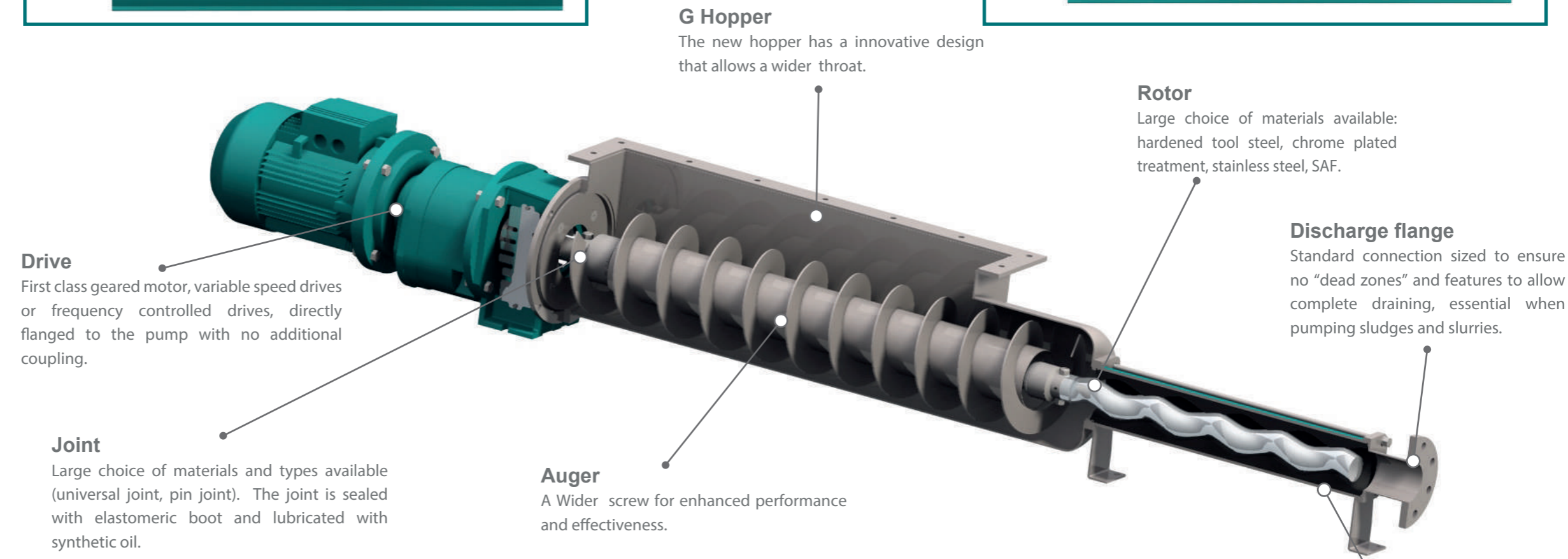
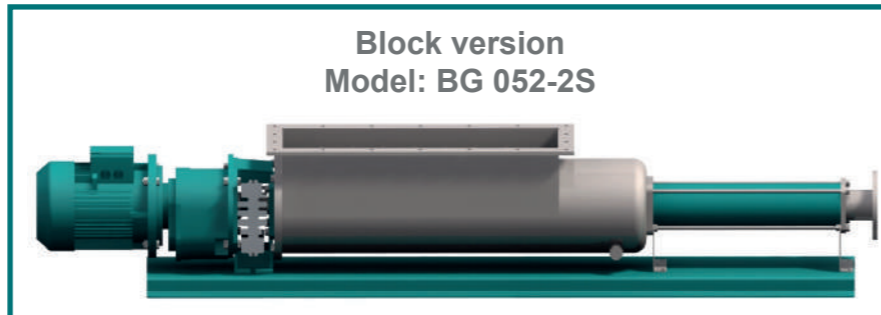
G Range:

Peculiar construction for an easier handling of very viscous matters. A wide diameter of the screw feeder and the enlarged dimensions of the hopper give you an extremely high level of performance. Effectiveness can be considered really higher than a traditional open throat style pump. The range can be produced both in block coupling version (max 6 m pedestal).

Features:

- Stable pump - low pulsation
- Delivery direction reversible
- Self-priming rate high
- ATEX version available
- Compact design and cost-efficient
- Easy maintenance and service
- Various rotor/stator geometries available
- Products with solids can be conveyed gently without damage.

Capacity: from 30 l/h up to 300 m³/h [0.132 usgpm up to 1.320 usgpm]
Pressure: up to 48 bar [696 psig]



Typical fields of application



Environmental and energy
Waste water treatment, drinking water purification, renewable energies, biogas plant.



Food and pharmaceutical
Beverages, wine, sugar, dairies, breweries, fish and meat processing, bakery products.



Oil and gas
On and offshore oil production, oil transfer, petrochemicals, refineries.



Shipbuilding
Conveying bilge water, drilling mud, treatment of waste, oil water separation.



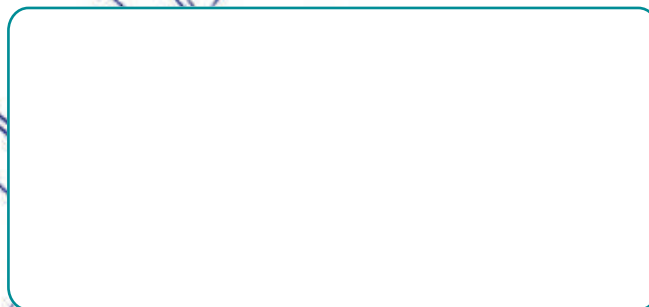
Chemical, pulp and paper
Chemical industry, paper, cellulose and textile industry, paint and varnish.



Mining
and anywhere the conveyed product is too viscous and with poor flowing properties to be pumped with other pumps.

Stator
Available in a wide range of materials (Nbr, Hypalon, Viton, etc). Gaskets are an integral part of the stator. Corrosion of the stator tube is never a problem because the pumped liquid never comes into contact with the metal.

Your local authorized distributor:



SYDEX
pump



Sydex Srl
Via Lord Baden Powell 24
36045 Lonigo (VI) - Italia
Tel. 0039 0444 432588
Fax 0039 0444 432589
Web site: www.sydexump.com
Email: info@sydexump.com